



Midwest
Designer
Supply

www.midwestdesignersupply.com

888-523-2611
262-524-1007 (fax)



BRIZA™
MOTORIZATION

LIVING

Smart

Finally, control your draperies in an instant from anywhere with our new Briza™ Motorization. Enjoy the ease and comfort of motorized draperies on our most popular rods. Our quiet yet powerful motor moves on command and whisks your draperies in an instant so you can experience comfortable living at its finest. Now that's a smart move.



CONTENTS

01\ Overview

03\ Briza™ Motorization

07\ Architrac® + Briza™

09\ 1¾" Estate™+ Briza™

11\ 2" Estate™+ Briza™

13\ Estate™ Mounting Options

16\ Warranty

OVERVIEW & BENEFITS

Why Briza™?

The slim design of the quiet, yet powerful motor and the position on the track allows the motor to tuck seamlessly behind your drapery panel so you'll never have to sacrifice your style or comfort. For safety measures, you're able to move the draperies with a gentle tug, allowing for operation when a remote is not present or if a guest is unaware of the motorization feature. This safety feature also allows the disengagement of the motor from the carriers in case of a power outage so draperies may be opened in the event of an emergency. Briza™ Motorization is available on our most popular traversing tracks, Estate and Architrac® Series 94001 and in drapery header styles Ripplefold™ and pleated for a variety of styling options. This is comfortable living at its finest.

For Briza™ Motorization brochure, programming instructions and installation instructions, please visit the drapery hardware resource library at kirsch.com.

Benefits & Features

Briza™ Motorization

- Motor mounts to the back of the track which allows a seamless look between motorized and cord or baton traverse rods
- Drapery fabrication does not need to change between cord or baton controlled draperies and motorized draperies; No additional returns or any special instructions
- Limits are set automatically after installation
- Remote control is radio frequency and easily pairs with the motor
- Tug feature; when drapery is pulled the motor will traverse the drapery
- New Neo Smart Controller allows for easy integration with third party home systems
- New Somfy® Motor head adapter allows you to connect a Somfy® motor to your Estate™ Traverse Rod or Architrac® Series 94001 Rod
- Architrac® Series 94001 Rods with Briza™ cannot be bent or curved

Frequently Asked Questions

What is the weight capacity?

100 lbs Be sure to not exceed this capacity to ensure your motor operates optimally.

Can you double the weight capacity by using two motors?

No Only use one motor per rod.

Does Briza™ offer limit setting?

Yes The motor automatically sets its limits.

Does Briza™ offer touch control?

Yes The tug feature allows you to pull on the drapery and the motor will automatically open or close your draperies.

How long is the power cord?

9 ft The durable, non-extendable power cord is extra long for out of reach places. And extra can be rolled and secured for a tidy look.

Is there a wall switch?

Yes The remote control comes with a base that can be mounted to the wall for the remote to slide into.

Is Briza™ compatible with smart home systems?

Yes Briza™ easily connects to your existing smart home system using the Neo Smart Controller.

Does Briza™ offer a warranty?

Yes See the Kirsch Warranty document for more information.

Briza™ Motorization at a Glance

To help determine which system is right for your project, use the guideline below to select the best fit. For more detailed information about each track, please visit our resource library at kirsch.com.

BRIZA™ MOTORIZATION TRACK STYLES	BUCKINGHAM® ESTATE™	DESIGNER METALS™ ESTATE™	WOOD TRENDS™ ESTATE™	CHROMA ESTATE™	VARIA ESTATE™ NEW	ARCHITRAC® 94001
----------------------------------	---------------------	--------------------------	----------------------	----------------	-------------------	------------------

What is your preferred size?

1¾ inch	•	•	•	N/A	N/A	N/A
2 inch	•	•	•	•	•	N/A

What is the preferred Drapery Heading type?

Pleated	•	•	•	•	•	•
Ripplefold™	•	•	•	•	•	•

What is your mounting location?

Ceiling Mount*	•	•	•	•	•	•
Wall Mount	•	•	•	•	•	•
Recessed Mount*	N/A	N/A	N/A	N/A	N/A	•

What is your preferred look?

With rings (2" Estate™ only)	•	•	N/A	N/A	N/A	N/A
Without rings	•	•	•	•	•	N/A

* Final choices may be limited for ceiling mounted Estate™ Rods.

Master Carriers

DRAW	Overlap Master	Butt Master*
ONE-WAY	•	•
TWO-WAY	•	•

* For Briza™ Only.

Estate™ Track Performance with Briza™

DRAW	MINIMUM TRACK LENGTH	MAXIMUM TRACK LENGTH	MAXIMUM FABRIC WEIGHT*	MAX. LBS. PER FOOT*
ONE-WAY	18"	16'	100 LBS.	6.25 LBS.
TWO-WAY	18"	16'	100 LBS.	6.25 LBS.

* For Briza™ Only.

Architrac® Track Performance with Briza™

DRAW	MINIMUM TRACK LENGTH	MAXIMUM TRACK LENGTH	MAXIMUM FABRIC WEIGHT*	MAX. LBS. PER FOOT*
ONE-WAY	18"	20'	100 LBS.	5 LBS.
TWO-WAY	18"	20'	100 LBS.	5 LBS.

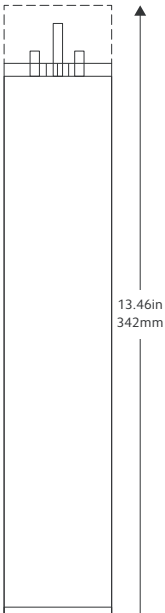
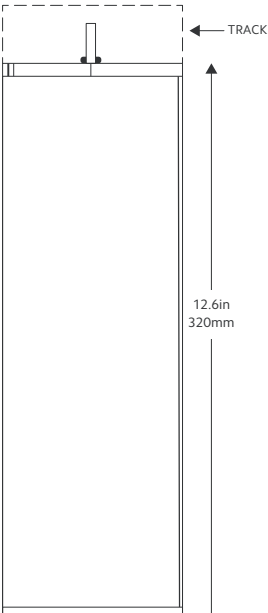
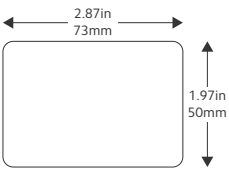
* For Briza™ Only.

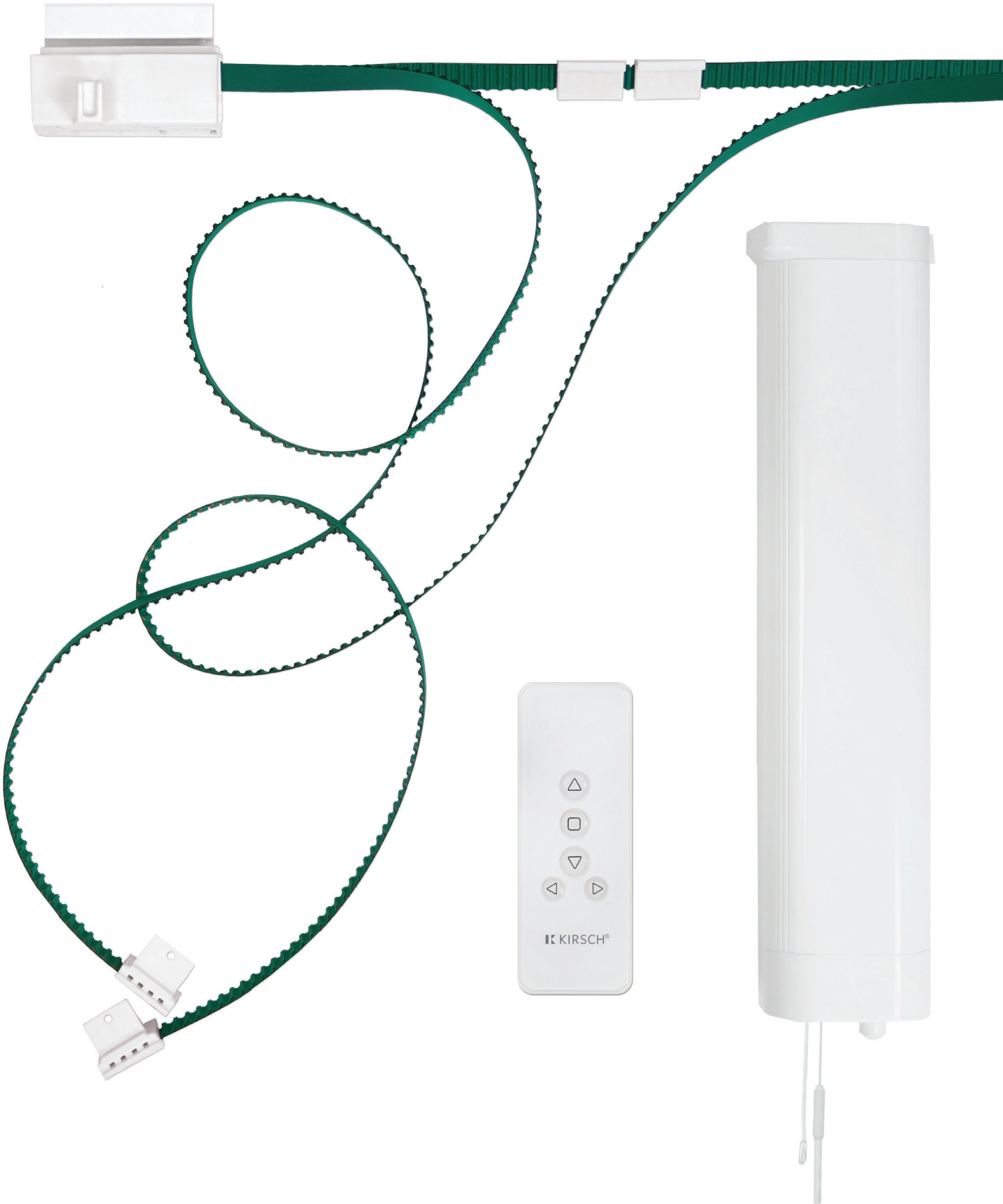
BRIZA™ MOTORIZATION

Motorization System

- Soft start/stop & manual operation
- Tug feature; when drapery is pulled the motor will traverse the drapery
- Automatic limits on end stop
- Favorite/intermediate position available
- Dry contact for external control
- Radio technology
- Setting with buttons on motor unit
- Setting with external dry contact switch
- LED Indicators
- One-Way and Two-Way Draw
- Pleated
- Ripplefold™
- Neo Smart Controller for easy installation with third party home systems

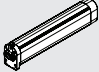
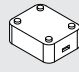
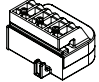
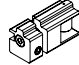
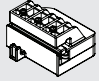
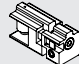
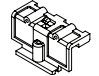

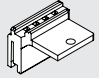

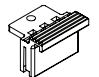
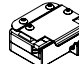
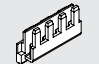



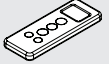


Additional Information

SIDE VIEW	FRONT VIEW	BOTTOM VIEW	MOTORIZED TRACK FEATURES	BRIZA™ MOUNT																		
 <p>13.46in 342mm</p>	 <p>TRACK</p> <p>12.6in 320mm</p>	 <p>2.87in 73mm</p> <p>1.97in 50mm</p>	<table border="1"> <tr> <td>Power Supply</td> <td>24 VDC (AC adapter for 110-24v)</td> </tr> <tr> <td>Amperage</td> <td>1500 mA</td> </tr> <tr> <td>Average Linear Speed</td> <td>7.8 inches/sec</td> </tr> <tr> <td>Power Consumption</td> <td>40 watts</td> </tr> <tr> <td>Torque</td> <td>1.2Nm</td> </tr> <tr> <td>Power Cable Length</td> <td>9 feet</td> </tr> <tr> <td>Certifications</td> <td>CE</td> </tr> <tr> <td>Max Track Length</td> <td>Estate™ – 16ft Architrac® 94001 – 20ft</td> </tr> <tr> <td>Max. Load</td> <td>100 lbs</td> </tr> </table>	Power Supply	24 VDC (AC adapter for 110-24v)	Amperage	1500 mA	Average Linear Speed	7.8 inches/sec	Power Consumption	40 watts	Torque	1.2Nm	Power Cable Length	9 feet	Certifications	CE	Max Track Length	Estate™ – 16ft Architrac® 94001 – 20ft	Max. Load	100 lbs	
Power Supply	24 VDC (AC adapter for 110-24v)																					
Amperage	1500 mA																					
Average Linear Speed	7.8 inches/sec																					
Power Consumption	40 watts																					
Torque	1.2Nm																					
Power Cable Length	9 feet																					
Certifications	CE																					
Max Track Length	Estate™ – 16ft Architrac® 94001 – 20ft																					
Max. Load	100 lbs																					



BRIZA™ MOTORIZATION

Component Overview

ITEM	PRODUCT NUMBER & FINISH	DESCRIPTION	ITEM	PRODUCT NUMBER & FINISH	DESCRIPTION
	84500025 White	Drapery Motor BTE DC 24v		84513025 White	Briza™ Neo Smart Controller
	84501025 White 84501059 Black 84501061 Gray 84501064 Bronze	Drapery Motor Head Adapter Right Hand Wall Mount		84509061	Adjustable Pulley Right
	84502025 White 84502059 Black 84502061 Gray 84502064 Bronze	Drapery Motor Head Adapter Left Hand Wall Mount		84508061	Adjustable Pulley Left
	84503025 White 84503059 Black	Drapery Motor Master Carrier Adapter		84523000	Briza™ Estate™ Motor Head Adapter Somfy® Right
	84504025 White	Drapery Motor Belt Connector Front		84524000	Briza™ Estate™ Motor Head Adapter Somfy® Left
	84505025 White	Drapery Motor Belt Connector Back		84525059 Black 84525064 Bronze 84525061 Gray 84525025 White	Drapery Motor Head Adapter Right Ceiling Mount
	84506025 White	Drapery Motor Belt Connector Clip		84526059 Black 84526064 Bronze 84526061 Gray 84526025 White	Drapery Motor Head Adapter Left Ceiling Mount
	84510000	Motor Belt		84527000	Briza™ Architrac® Series 94001 Motor Head Adapter Somfy® Right
	84511025 White	Remote Control 5 Channels		84528000	Briza™ Architrac® Series 94001 Motor Head Adapter Somfy® Left
	84512025 White	DC Adapter 24v			

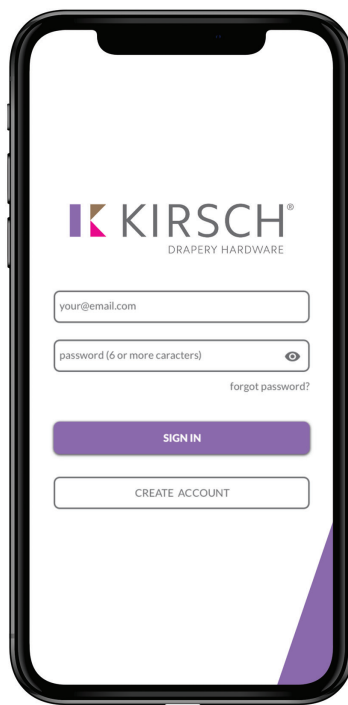
* Briza™ Motorization is available on Architrac® Series 94001 and Estate™ Rods only.

Neo Smart Controller

- App gives you the ability to add and control draperies for desired rooms
- Set schedules and customize groups
- User friendly setup
- Wi-Fi connected
- Available for Android, iOS and works with Google Assistant, Amazon Alexa and Control4.



BRIZA™ NEO SMART
CONTROLLER



BRIZA™ NEO SMART
CONTROLLER APP



BRIZA™ MOTOR

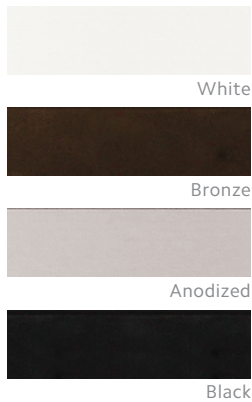
Connect your Briza™ motor to your smart home with the Briza™ Neo Smart Controller for the ultimate control in creating your smart home.

ARCHITRAC® WITH BRIZA™

A Moving Performance

Architrac® Series 94001 is the most versatile rod in the Architrac® lineup and now with Briza™ Motorization on board, this rod has become the ultimate powerhouse. With your choice of hardware colors and drapery header styles you can completely customize this rod to your specifications. Perfect for homes, businesses or other commercial drapery applications, Architrac® will glide through your most demanding applications with ease.

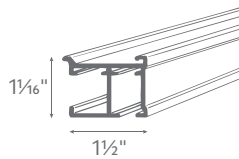
Available Colors



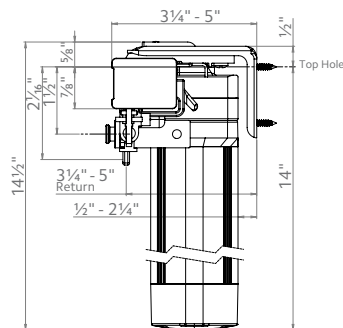
Additional Information

For more detailed information about this track, please visit our resource library at kirsch.com.

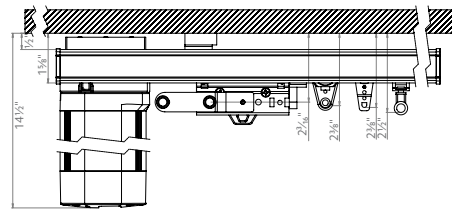
DIMENSIONS



WALL MOUNT



CEILING MOUNT



DRAW	MOUNT	MAXIMUM TRACK SET	MAXIMUM FABRIC WEIGHT	MAX. LBS. PER FOOT
ONE-WAY	CEILING WALL RECESSED	20'	100 LBS.	5 LBS.
TWO-WAY	CEILING WALL RECESSED	20'	100 LBS.	5 LBS.



ARCHITRAC®
SERIES 94001
WITH SLIDES
Shown in white.
Custom sizes only.

1 3/8" ESTATE™ WITH BRIZA™

Small but Mighty

The 1 3/8 inch Estate™ rods are our newest decorative traversing drapery rods. Available in our Wood Trends™, Designer Metals™ and Buckingham® collections, this new smaller size is perfect for smaller spaces while still providing high performing function. The rod may be smaller, but the style is still bold. You can pair any of the 1 3/8 inch finials to complete your design so you never have to sacrifice your brilliant style for performance.

Available Colors

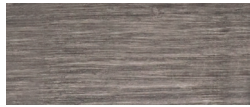
Buckingham®



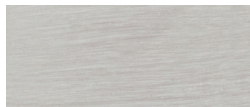
Moonglow



Camden



Distressed Oak



Winterwood



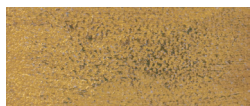
Sterling



Shimmer



Castle Rock



Ornate



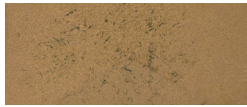
Old World White



Cottage White



Slate



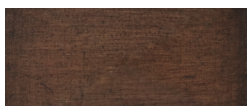
Aged Gold



Venetian



Black Gold

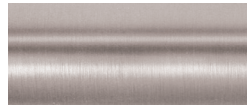


Dark Walnut

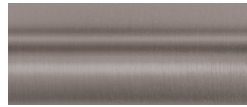
Designer Metals™



Polished Nickel



Satin Nickel



Antique Silver



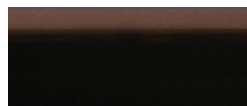
Black**



Brushed Bronze



Gilded Bronze



Caramel

*Select finishes are color coordinated. Refer to price guide for details.

Wood Trends™



White



Marble



Truffle



Coffee



Estate Oak



Mahogany



Dark Chocolate



Black



Unfinished



BUCKINGHAM®
1 3/8" ESTATE™ ROD
WITH RIPPLEFOLD™
Shown in Distressed Oak
with Berkshire finial.
Custom sizes only.



2" ESTATE™ WITH BRIZA™

Evolving the Standard

2 inch Estate™ rods are our standard decorative traversing drapery rods with wheeled carriers that are designed to carry today's heavier draperies. Having set the interior design standard for decades, each of the Estate™ collections are characterized by inspired finials, premium finishes, and precision engineered components.

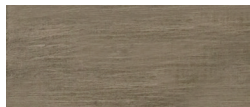
Buckingham®, Designer Metals™, Wood Trends™, Varia and Chroma Collections are featured in countless luxury venues and designer homes throughout the world.

Available Colors

Buckingham®



Moonglow



Camden



Distressed Oak



Winterwood



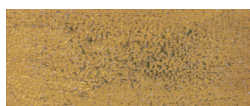
Sterling



Shimmer



Castle Rock



Ornate

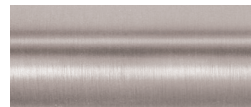


Old World White

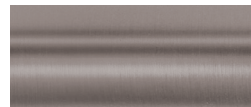
Designer Metals™



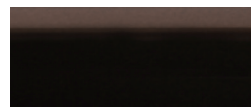
Polished Nickel



Satin Nickel



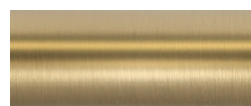
Antique Silver



Oil Rubbed Bronze*



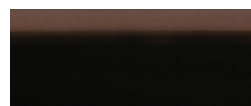
Black**



Brushed Bronze



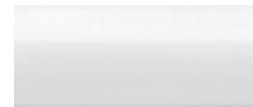
Gilded Bronze



Caramel

*Oil Rubbed Bronze with rings uses Black pole with Oil Rubbed Bronze rings.
**Select finishes are color coordinated. Refer to price guide for details.

Wood Trends™



White



Marble



Truffle



Coffee



Estate Oak



Mahogany



Dark Chocolate



Black



Unfinished

Chroma



Vellum Reflect



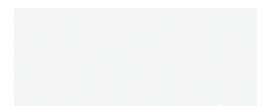
Lemon Reflect



Smudge



Rockport



Vellum



Cityscape



Cayman



Mythical



Jello



Varia



Clementine



Citron



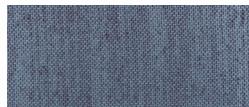
Lapis



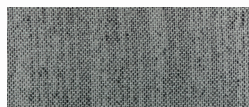
Pure Gold



Pure Silver



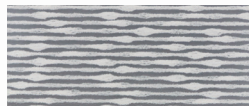
Hem Thames



Hem Tetons



Hem Ashland



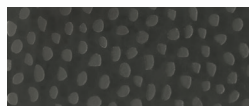
Flock Cotton 2



Connection Mini Pure



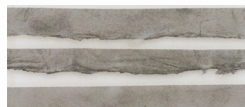
Connection Mini Gray



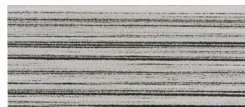
Hint Spotted



Fray Baltic



Fray Smoke



Strand White



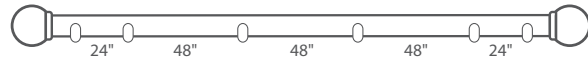
VARIA
2" ESTATE™ ROD

Shown in Hem Thames
Custom sizes only.

ESTATE™ MOUNTING OPTIONS

Bracket Spacing

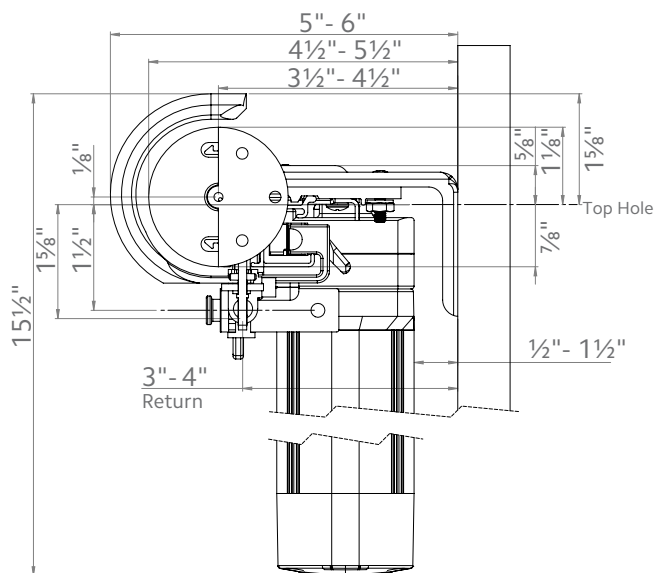
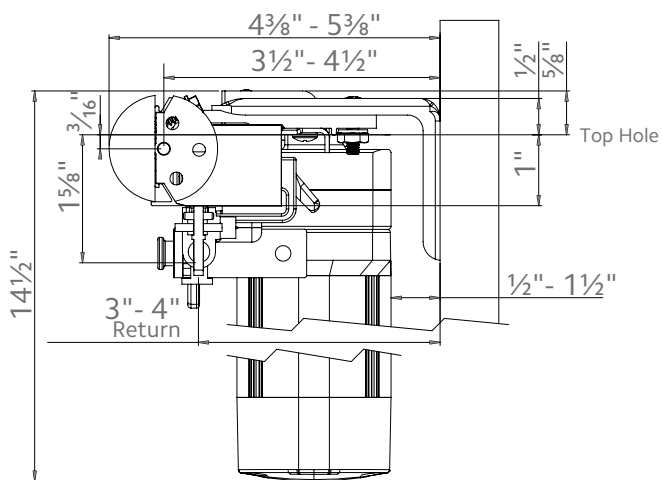
Place bracket at each end, place next bracket 24" from first, then place remaining brackets at 48" intervals over the remainder of the track. Spacing may need to be shortened for heavier draperies. All mounting options are compatible with our Briza™ Motorization.



USING 94129061, 1856973, 1856978 or 1857324

1 3/8" WALL MOUNT

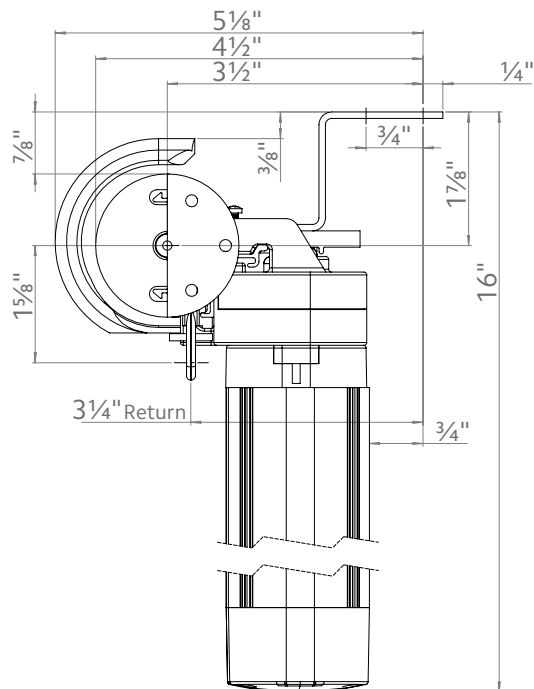
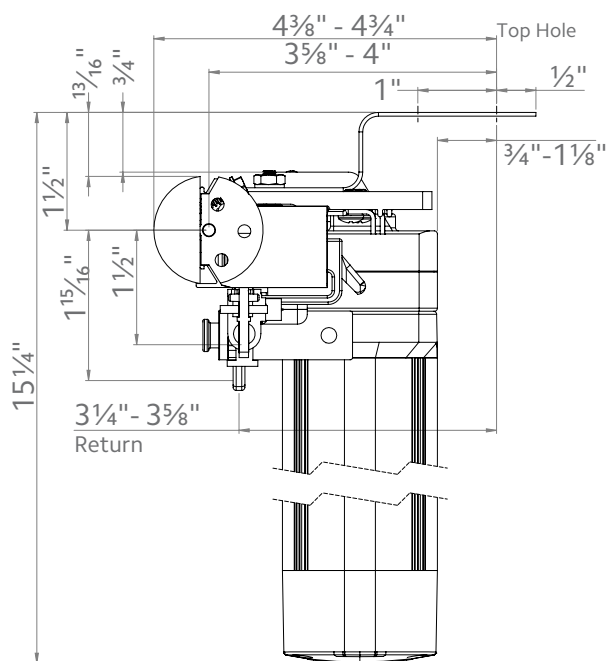
2" WALL MOUNT



USING 94130xxx and 1796061

1 3/8" CEILING MOUNT

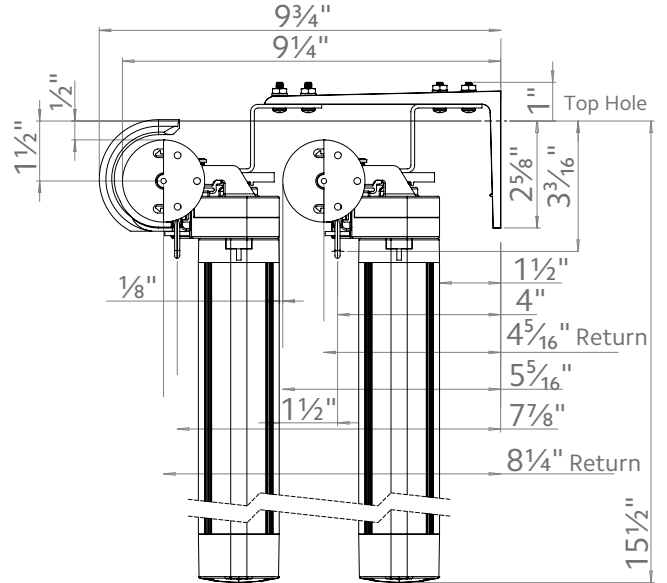
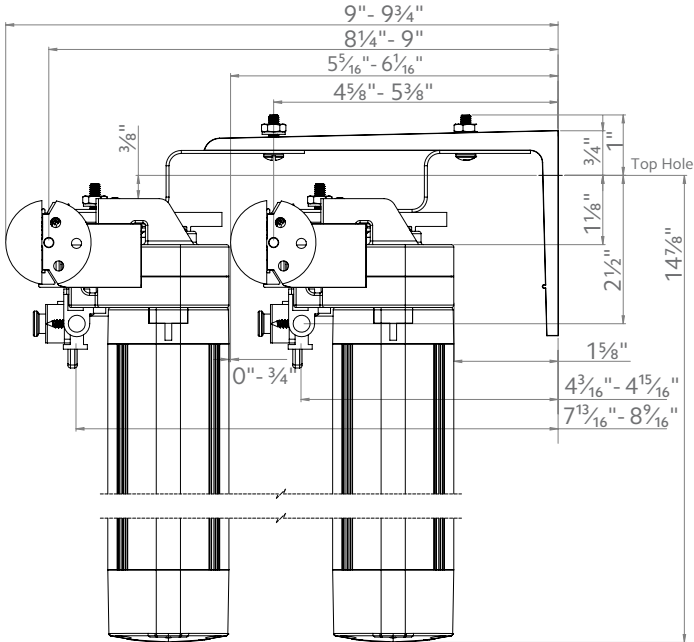
2" CEILING MOUNT



USING 94125xxx, 1796061 and 94130xxx

1 3/8" DOUBLE MOUNT

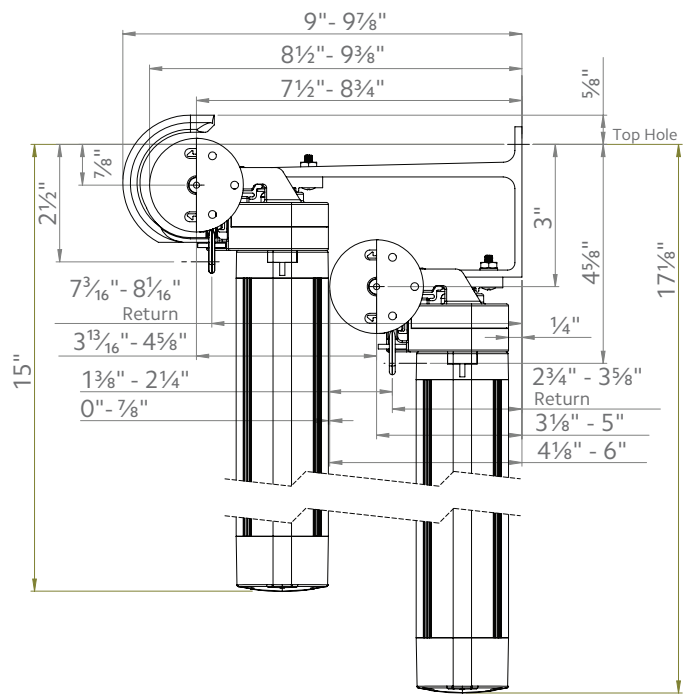
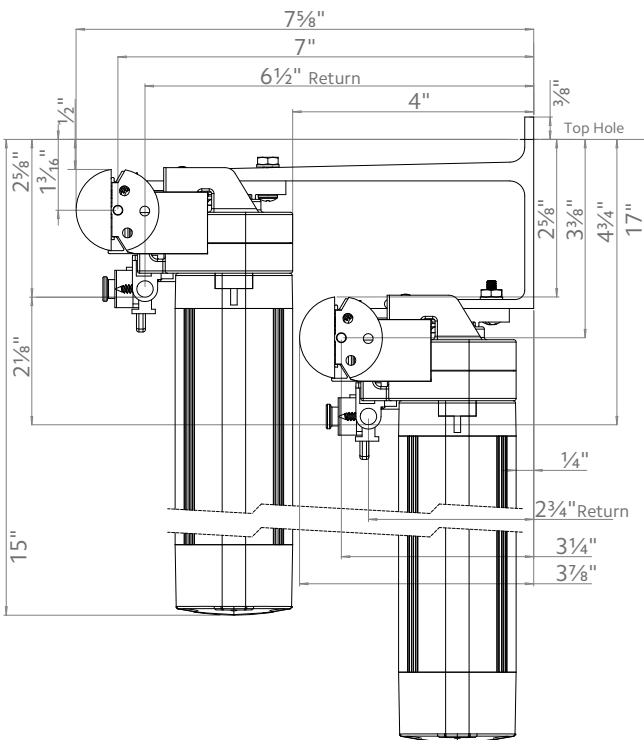
2" DOUBLE MOUNT



USING 71132xxx and 94130xxx

1 3/8" DOUBLE STAGGERED MOUNT

2" DOUBLE STAGGERED MOUNT





Kirsch® is proud to extend a 10 year warranty on all Kirsch® Drapery Hardware products manufactured after July 1, 2018 using all Kirsch® components. This is part of our commitment to providing the highest quality products, which has been our continued tradition since 1907.

COVERED

by a 10 year warranty

- Kirsch® Drapery Hardware products are covered for defects in materials, workmanship or failure to operate for 10 years from the date of purchase (unless shorter periods are provided below), provided that the original retail purchaser continues to own the product.
- All internal mechanisms.
- Components, brackets and operational cords.
- Operational cords for a full 7 years from the date of purchase.
- Repairs and/or replacements will be made with like or similar parts or products. Style, color or components may vary depending on original purchase date.
- Kirsch® motorization components are covered for 5 years from the date of purchase.

NOT COVERED

by a 10 year warranty

- Any conditions caused by normal wear and tear.
- Abuse, accidents, misuse or alterations to the product.
- Exposure to the elements (sun damage, wind, water/moisture, salt air) and discoloration or fading over time.
- Normal maintenance associated with motors and related accessories including, but not limited to, recharging and replacement of batteries.
- Failure to follow our instructions with respect to measurement, proper installation, cleaning or maintenance.
- Shipping charges, cost of removal and reinstallation.

Kirsch® (or its licensed fabricators/distributor) will repair or replace the product or components found to be defective.

TO OBTAIN WARRANTY SERVICE

- Contact your original dealer (place of purchase) for warranty assistance.
- Contact Kirsch® at (800) 252-2512 for technical support, certain parts free of charge, for assistance in obtaining warranty service or for further explanation of our warranty.

NOTE: In no event shall Kirsch® or its licensed fabricators/distributor be liable or responsible for incidental or consequential damages or for any other indirect damage, loss, cost or expense. Some states do not allow the exclusion or limitation of incidental or consequential damages, so the above exclusion or limitation may not apply to you. This warranty gives you specific legal rights, and you may also have other rights which vary from state to state.

Different warranty periods and terms apply for commercial products and applications.



Midwest
Designer
Supply

1-888-523-2611

**Midwest Designer Supply, Inc.
N30W22377 Green Road Ste C
Waukesha, WI 53186**

(262) 523-2600

Fax (262) 524-1007

www.midwestdesignersupply.com

KIRSCHE

BUCKINGHAM®
redefining luxury

DESIGNER METALS™
inspiring brilliance

WOOD TRENDS™
renewing traditions

WROUGHT IRON
forging artistry

RENAISSANCE™
awakening perfection

ARCHITRAC®
practical precision

ESTATE™
innovating comfort

MDS - your one source for window fashions.